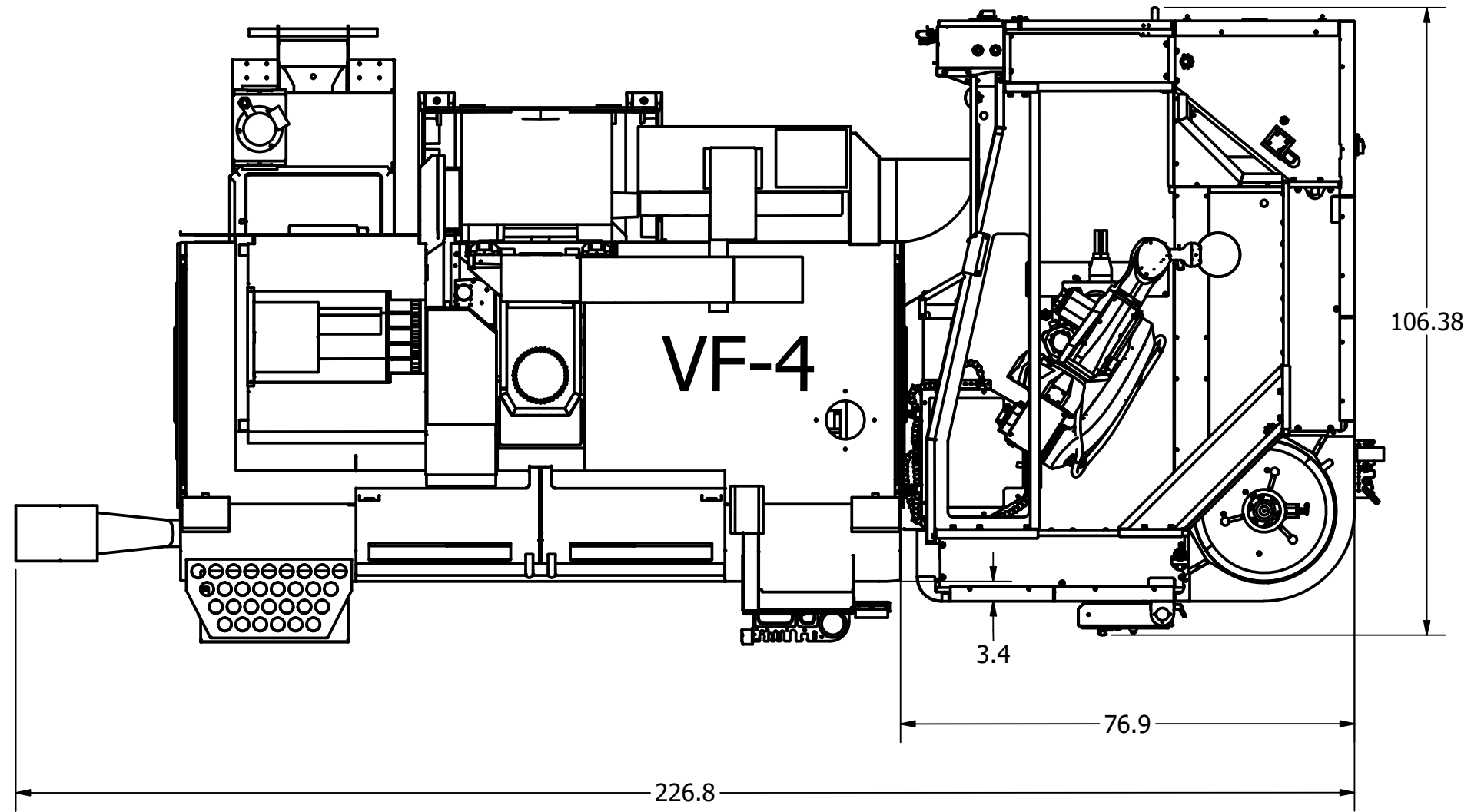


# AX2 - VF-4



THE INFORMATION CONTAINED IN THIS DRAWING IS THE SOLE PROPERTY OF TRINITY ROBOTICS AUTOMATION INC. ANY REPRODUCTION IN PART OR AS A WHOLE WITHOUT THE WRITTEN PERMISSION OF TRINITY ROBOTICS AUTOMATION IS PROHIBITED

<b>UNLESS OTHERWISE SPECIFIED</b> <small>DIMENSIONS ARE IN INCHES USE ENGLISH TOLERANCES</small>		<b>*DEBURR AND BREAK SHARP EDGES - .010"</b>	<small>3rd ANGLE PROJECTION</small> 
<b>ENGLISH TOLERANCES:</b> FRACTIONAL ±1/32 X.X ±.03 X.XX ±.010 X.XXX ±.005	<b>ANGULAR:</b> MACHINE ±.25 BEND ±.5	<b>METRIC TOLERANCES:</b> X ± 1 X.X ± 0.3 X.XX ± 0.10	

PART NAME:	
PART NUMBER: AX2 12_16	REV: 1
MATERIAL:	MATERIAL FINISH:
FILE NAME:AX2 12_16.lam	EST. WEIGHT: N/A
NAME:James Canales	DATE: 3/22/2021
SHEET: 1 OF 1	