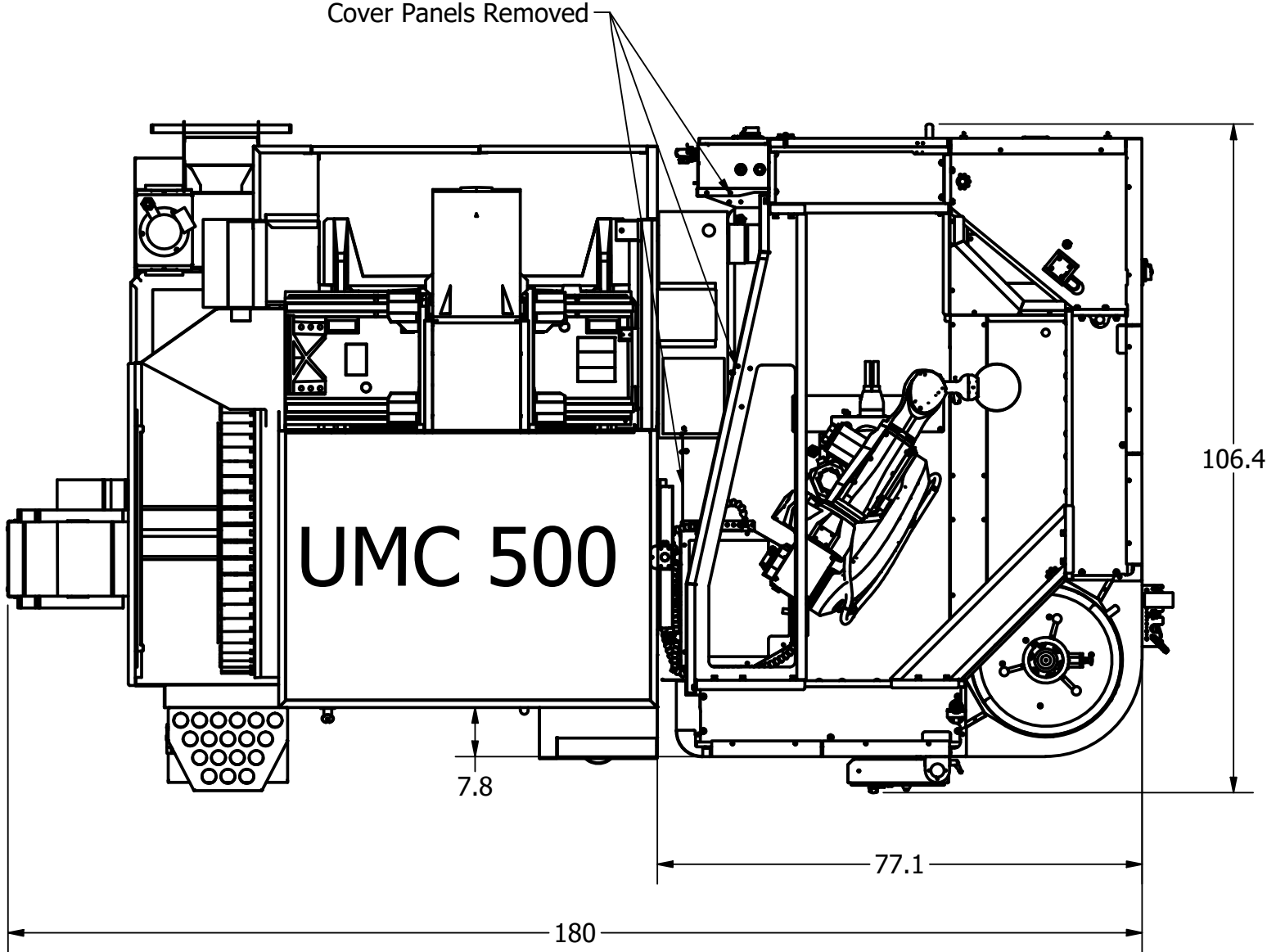


AX2 - UMC 500



THE INFORMATION CONTAINED IN THIS DRAWING IS THE SOLE PROPERTY OF TRINITY ROBOTICS AUTOMATION INC. ANY REPRODUCTION IN PART OR AS A WHOLE WITHOUT THE WRITTEN PERMISSION OF TRINITY ROBOTICS AUTOMATION IS PROHIBITED

UNLESS OTHERWISE SPECIFIED DIMENSIONS ARE IN INCHES USE ENGLISH TOLERANCES	*DEBURR AND BREAK SHARP EDGES - .010**	3rd ANGLE PROJECTION
ENGLISH TOLERANCES: FRACTIONAL ±1/32 X.X ±.03 X.XX ±.010 X.XXX ±.005	ANGULAR: MACHINE ±.25 BEND ±.5	METRIC TOLERANCES: X ± 1 X.X ± 0.3 X.XX ± 0.10

PART NAME:		
PART NUMBER: AX2 12_16		REV: 1
MATERIAL:		MATERIAL FINISH:
FILE NAME:AX2 12_16.lam		EST. WEIGHT: N/A
NAME:James Canales	DATE: 3/19/2021	SHEET: 1 OF 1