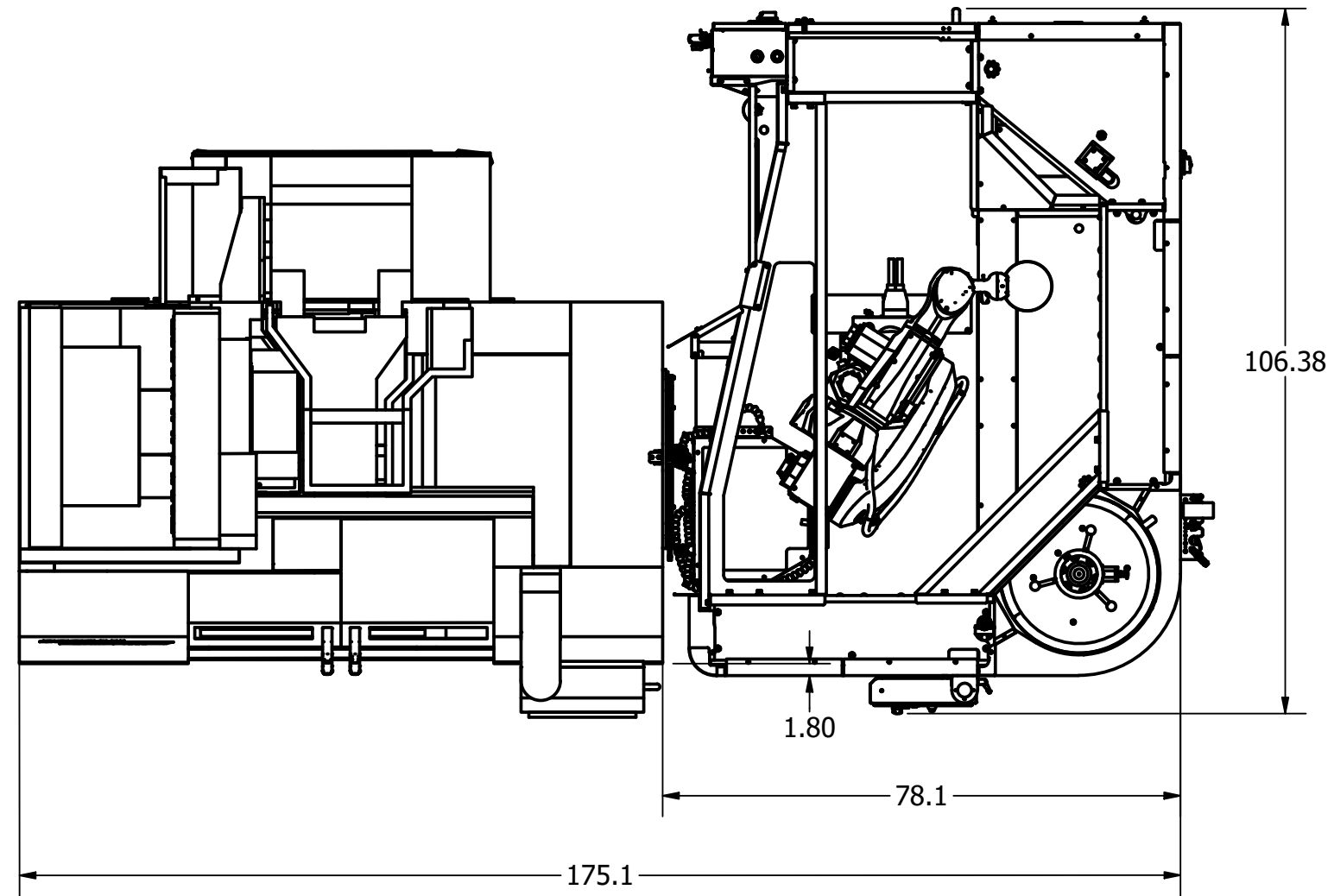


AX2 - DMN 4500



THE INFORMATION CONTAINED IN THIS DRAWING IS THE SOLE PROPERTY OF TRINITY ROBOTICS AUTOMATION INC. ANY REPRODUCTION IN PART OR AS A WHOLE WITHOUT THE WRITTEN PERMISSION OF TRINITY ROBOTICS AUTOMATION IS PROHIBITED

| | | |
|--|---|---|
| UNLESS OTHERWISE SPECIFIED <small>DIMENSIONS ARE IN INCHES USE ENGLISH TOLERANCES</small> | *DEBURR AND BREAK SHARP EDGES - .010** | <small>3rd ANGLE PROJECTION</small> |
| | | |

PART NAME:

PART NUMBER: AX2 12_16 REV: 1

MATERIAL: MATERIAL FINISH:

FILE NAME: AX2 12_16.lam EST. WEIGHT: N/A

NAME: James Canales DATE: 3/22/2021 SHEET: 1 OF 1