

1 2 3 4 5 6 7 8

A

B

C

D

E

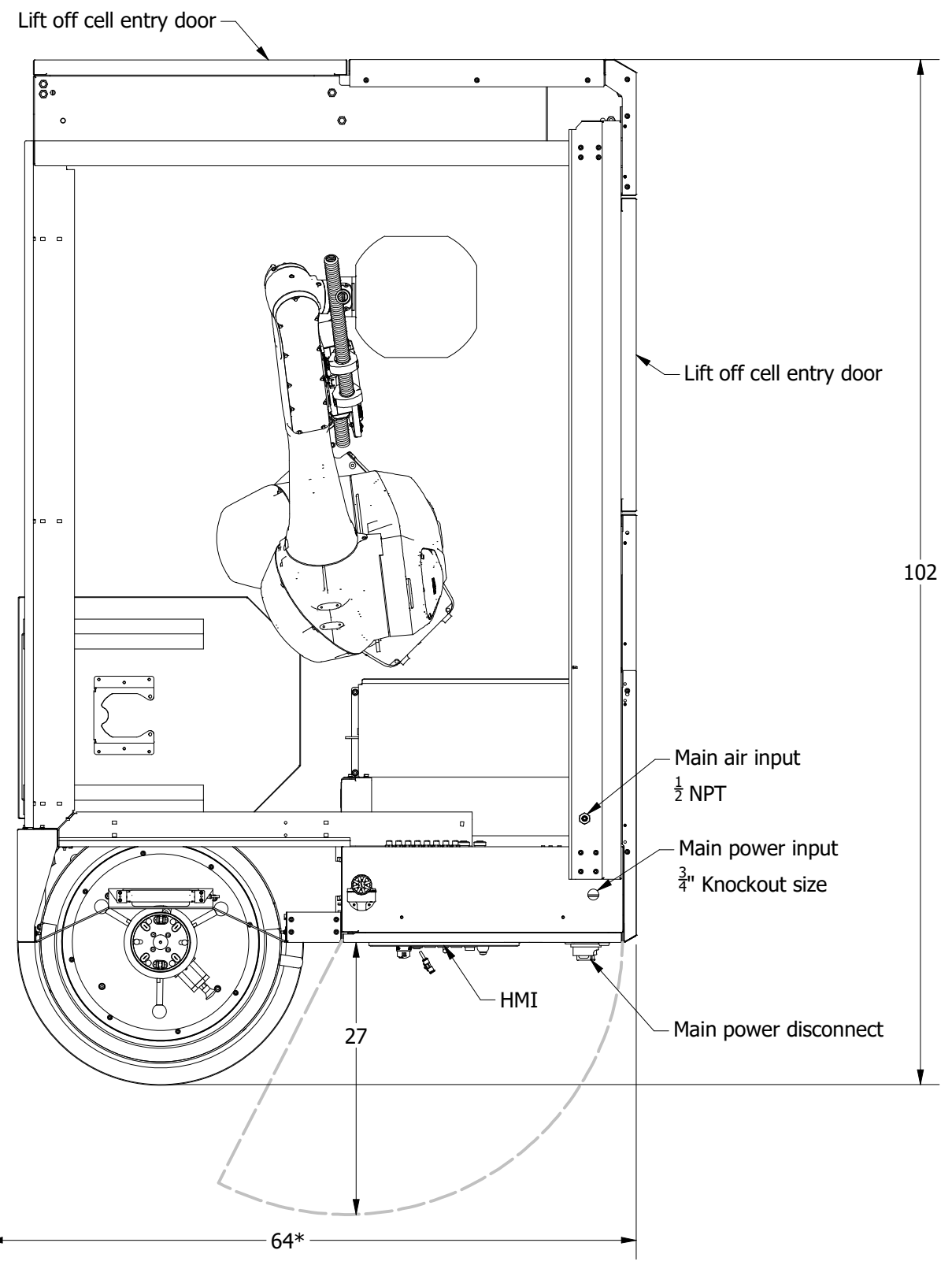
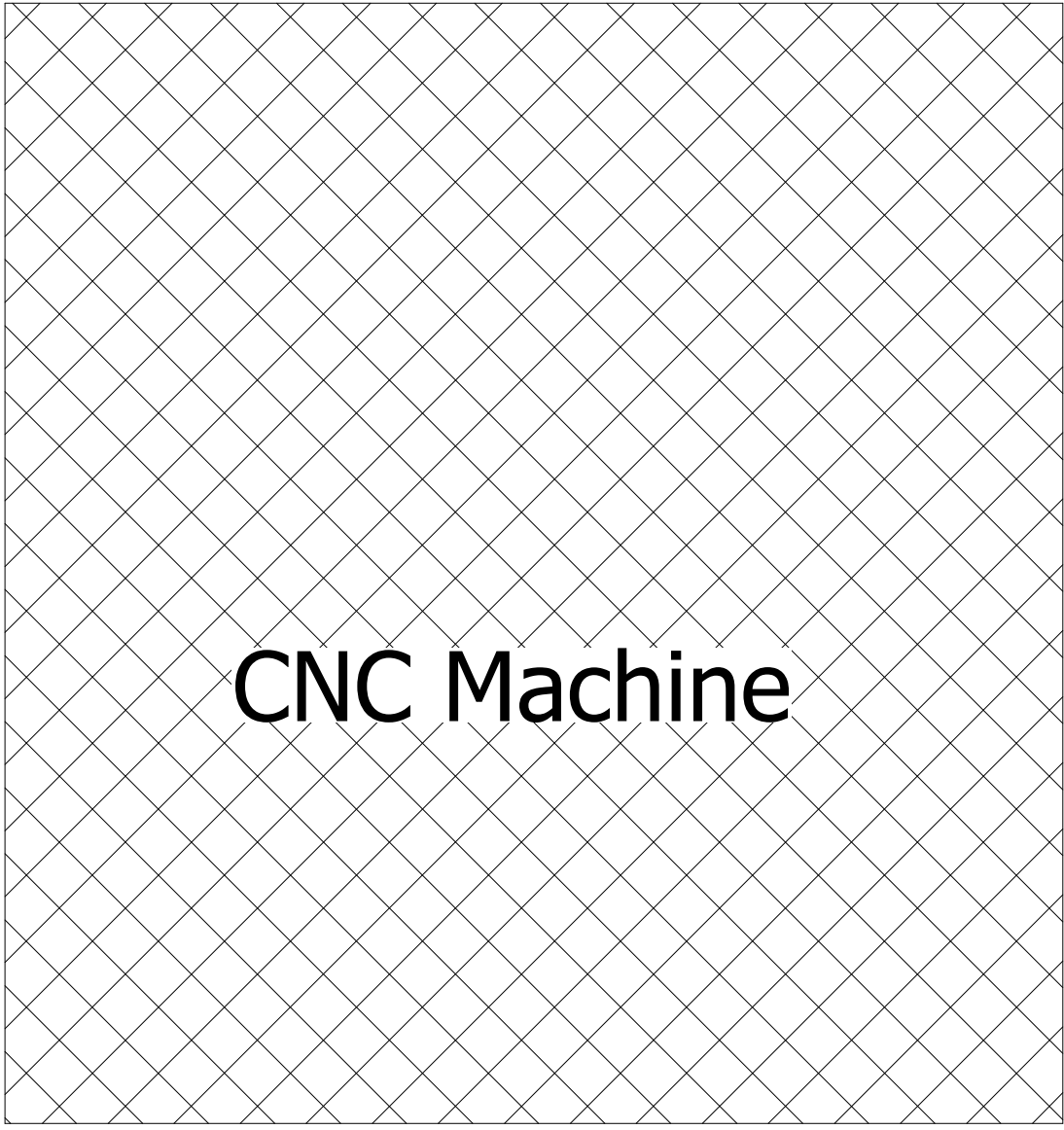
A

B

C

D

E



AX1

Power and Air Requirements
Power: 220 VAC (3 Phase), 40A
Optional: 480VAC (3 Phase), 20A
 Ethernet drop recommended
 Air: 90-120 psi to meet or exceed
 ISO 8573-1: 6 4 4
 30 SCFM with dryer box
 1/2" hard or 3/4" flex airline
 recommended
Power and air requirements are for the AX unit only

Shipping Information
Size: 62" x 102" x 102"H
Weight: 5,000 lbs

*Dimension may change based on machine model

Model: AX1		THE INFORMATION CONTAINED IN THIS DRAWING IS THE SOLE PROPERTY OF TRINITY ROBOTICS AUTOMATION INC. ANY REPRODUCTION IN PART OR AS A WHOLE WITHOUT THE WRITTEN PERMISSION OF TRINITY ROBOTICS AUTOMATION IS PROHIBITED
 TRINITY ROBOTICS AUTOMATION	Trinity Robotics Automation 4582 Brickell Privado Ontario, CA 91761, USA 1-800-762-6864 sales@trinityautomation.com	

1 2 3 4 5 6 7 8